

Installation instructions for PZ4AL-02990-00, PZ4AL-02991-00  
Under Run Protective Shield Engine Bay

# LEXUS IS 200T



## IS 200T

Model year:

2015-2016

Applicability:

ASE30L-AEZLZW

Part Number:

Steel: PZ4AL-02990-00  
Aluminium: PZ4AL-02991-00  
Installation kit: PZ4AL-02213-60



Weight:

Steel: 15.86 kg  
Aluminium: 11.19 kg



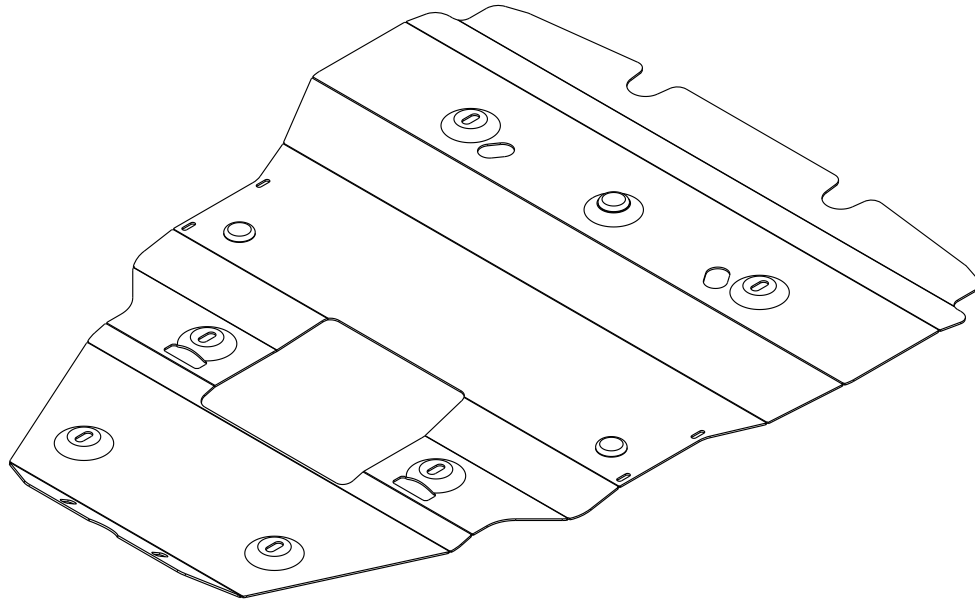
Installation Time:

30 min

Rev.2 18.07.2018

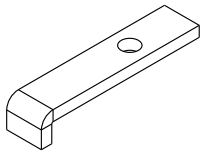
PZ4AL-02990-00, PZ4AL-02991-00

**A**



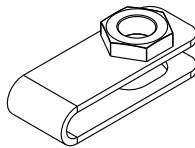
PZ4AL-02213-60

**B**



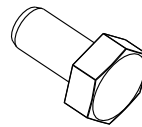
2x

**C**



2x

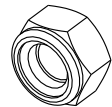
**D**



M10x25

6x

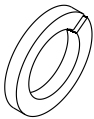
**E**



M10

2x

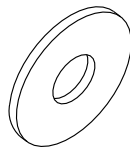
**F**



d=10

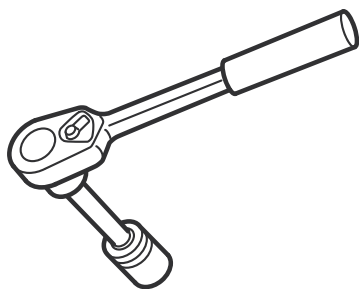
6x

**G**



d=10

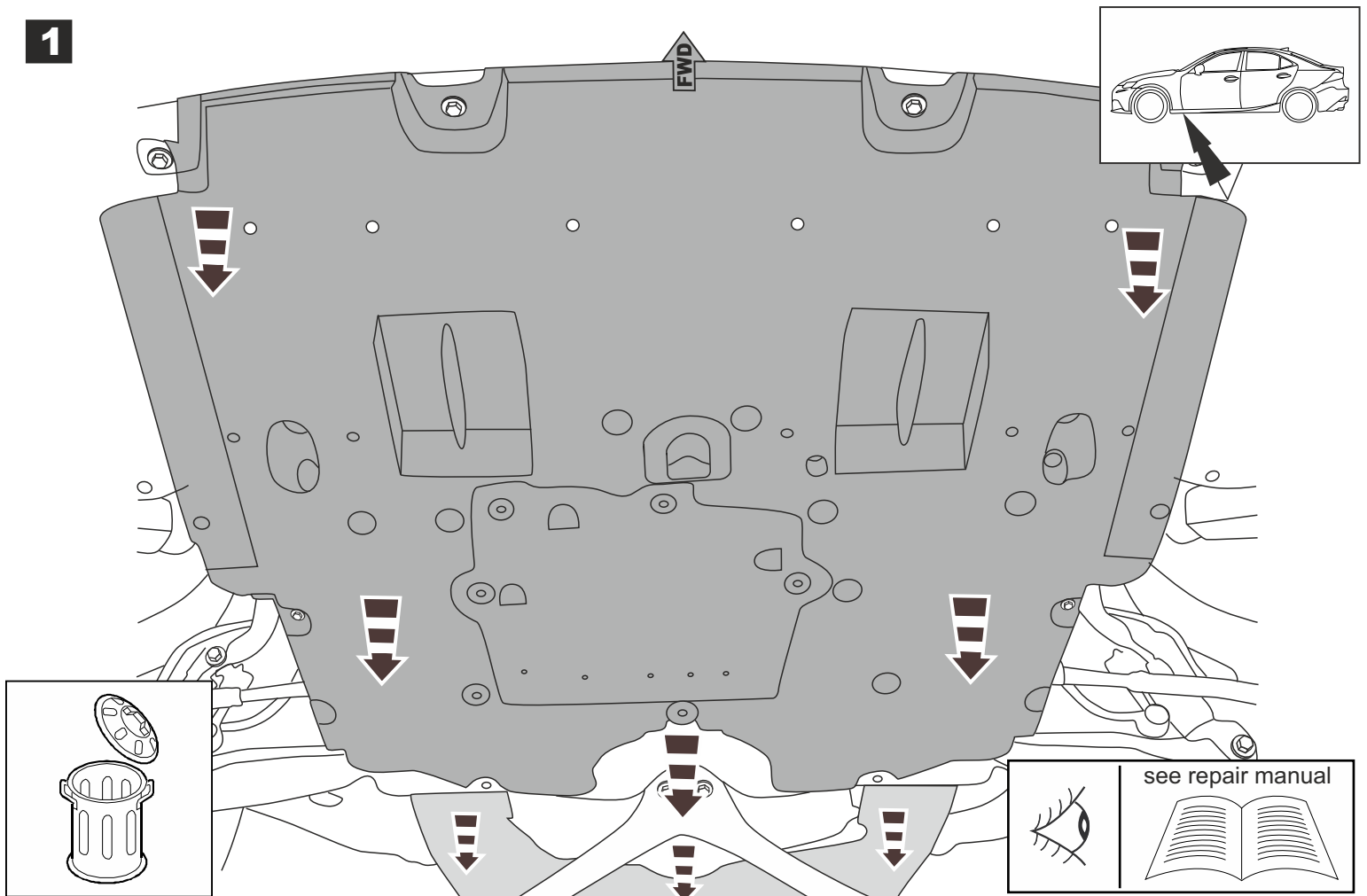
8x



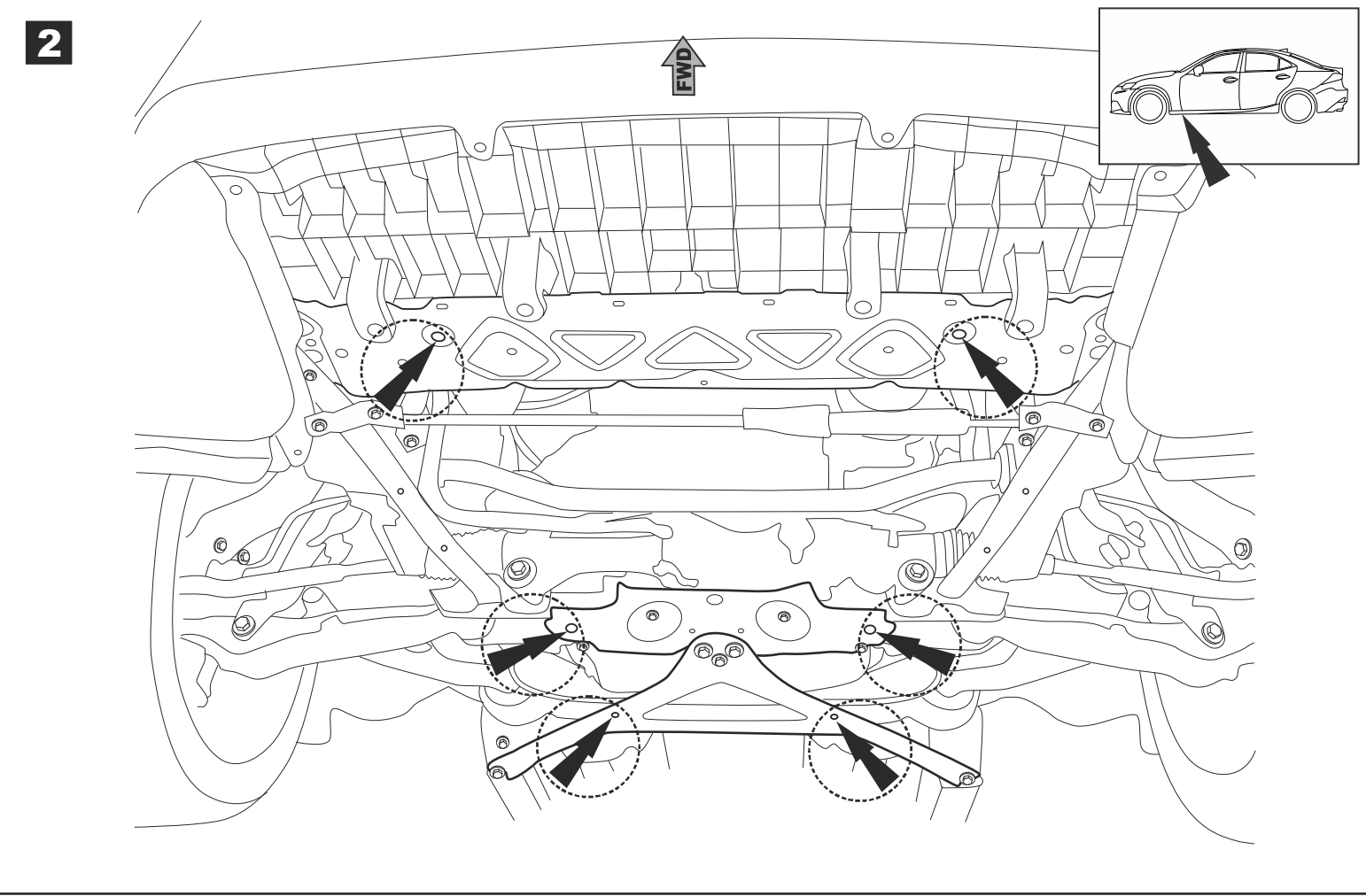
17 mm

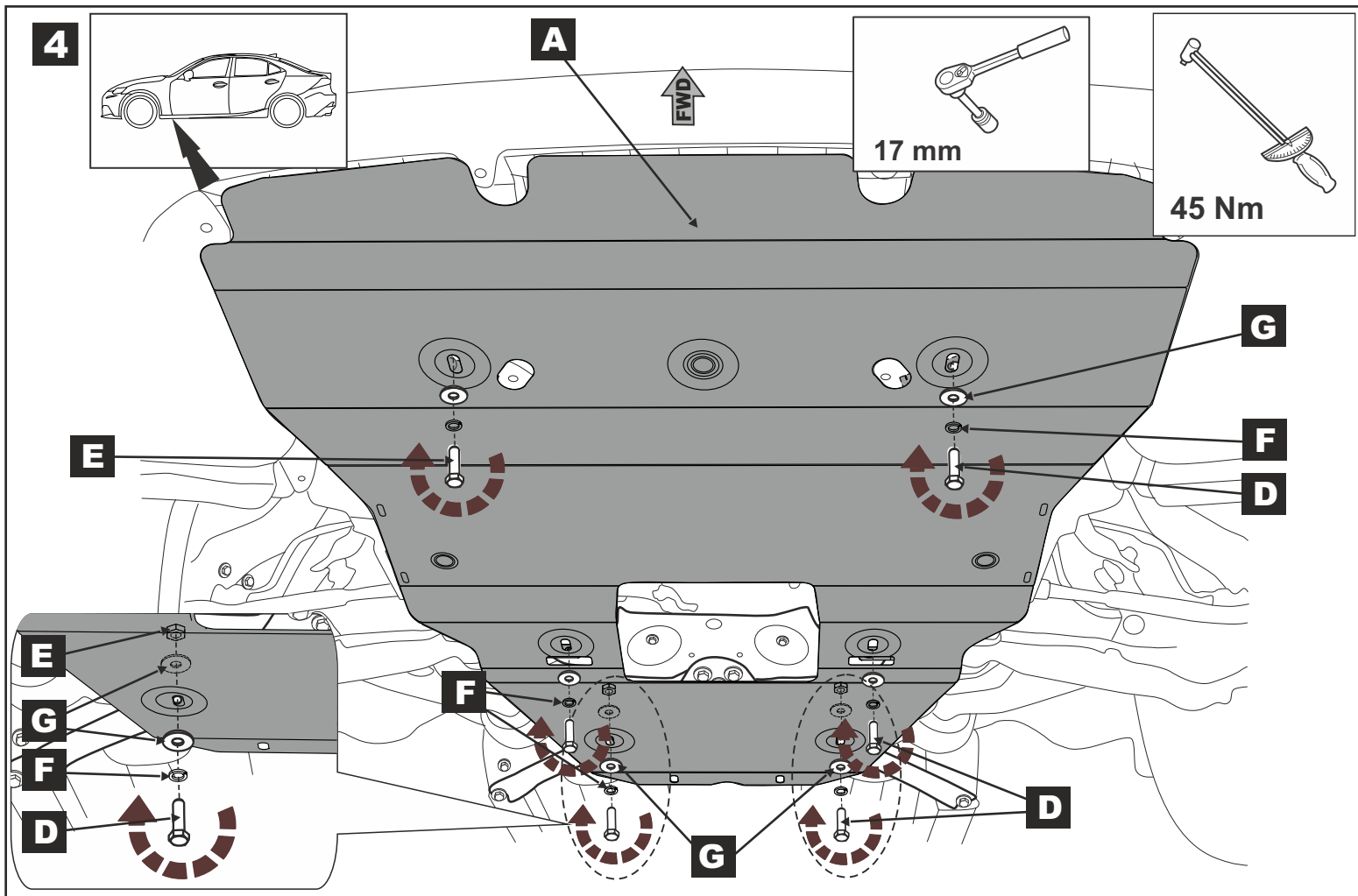
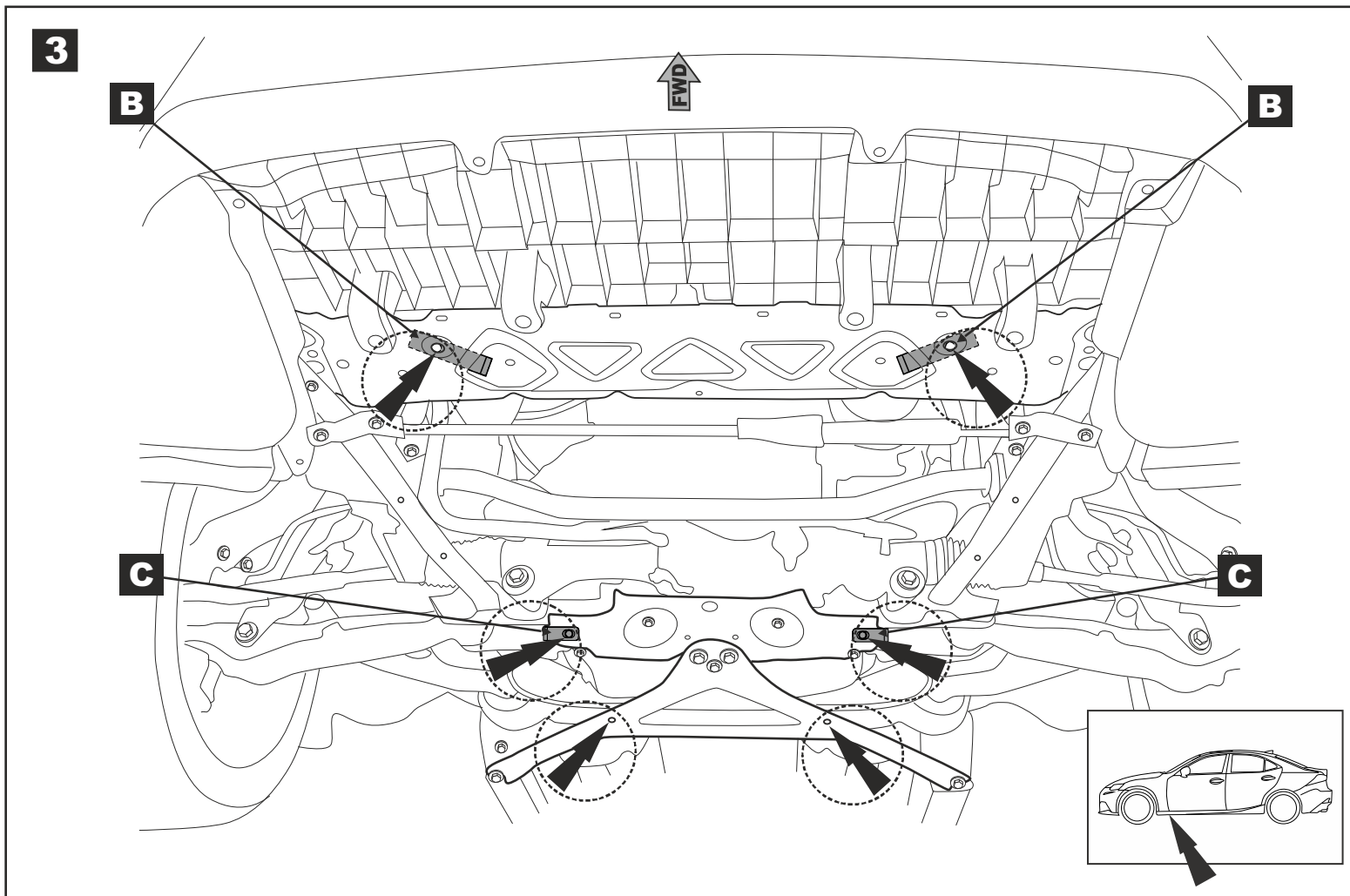


1

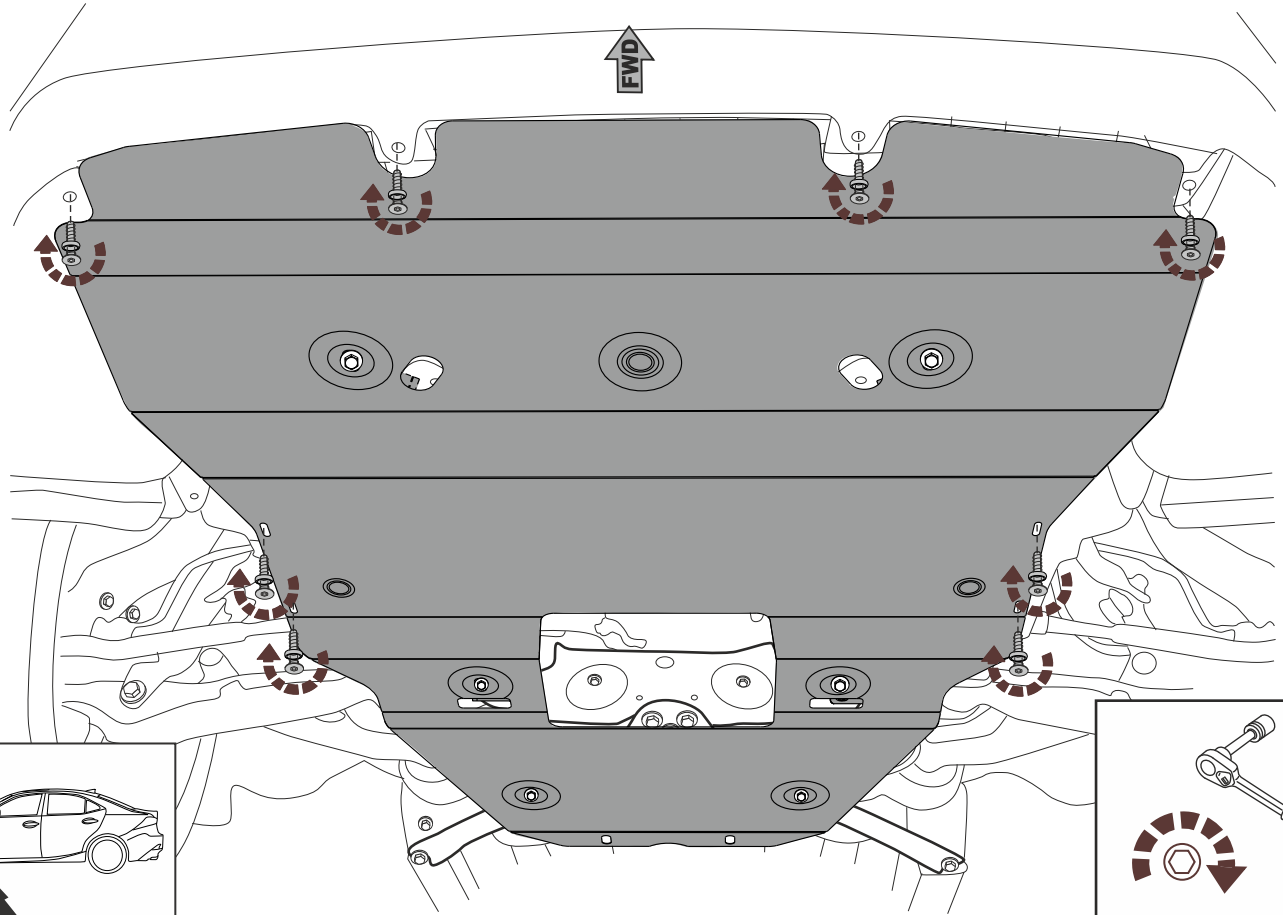


2





5



6

